

Machine-glass Thermometer TMa

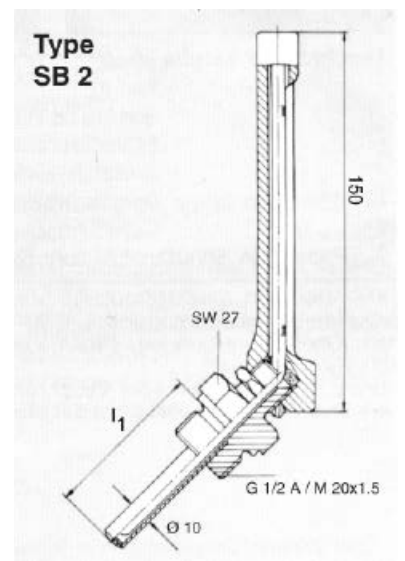
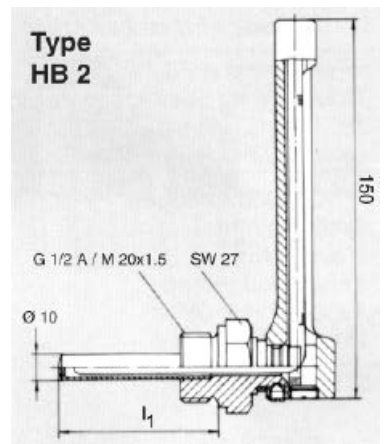
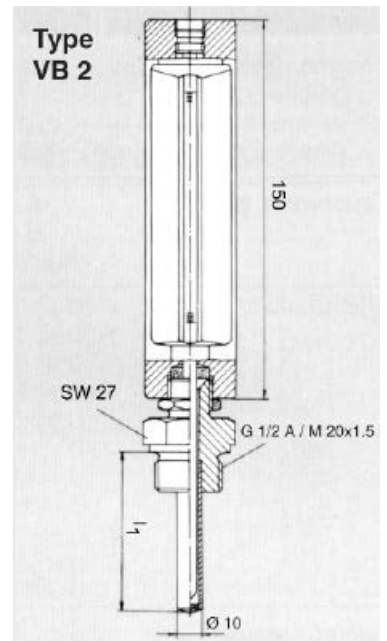
ARMANO

Upper part 150 x 36 mm – anodised brass-coloured

T08-000-026

DIN 16 185 B
DIN 16 186 S

Example	VB	2	35	1	1	063	2	1
Thermometer version								
straight	VB							
angle 90°	HB							
angle 135°	SB							
Immersion tube type		2						
Temperature ranges		-30 / +50 °C = 35 0 – 60 °C = 06 0 – 100 °C = 10 0 – 120 °C = 12 0 – 160 °C = 16 0 – 200 °C = 20 0 – 250 °C = 25						
Division		Celsius (°C) = 1 Celsius + Fahrenheit (°C + °F) = 2						
Thermometric liquid filling								
blue filling		Fü = 1						
Immersion tube lengths		dimension l_1 in mm 63 = 063 100 = 100 160 = 160 250 = 250						
Screw threads		G 1/2 A / SW 27 = 2 M20x1.5 / SW 27 = 7						
Immersion tube materials								
brass (hexagon Ms 58 / tube SoMs 76 or Ms 63), brazed or for immersion tube length up to $l_1=63$, G 1/2 A made of Ms 58 solid possible at our choice		1						
alloy steel (hexagon 9SMnPb28K / tube St 35, welded)		2						
stainless steel 1.4571 (hexagon and tube)		3						
special brass (hexagon SoMs 59 / tube SoMs 76)		4						
CuNi30Fe (hexagon and tube)		5						



For all thermometers with angle <90°, the immersion tube is connected to the upper part with a grooved spigot. This connection is secured with a hardened retaining screw.

Advantages:

- Easy installation
- Immersion tube and upper part can be mounted separately
- It is not necessary to turn the upper part during installation