

# Bourdon Tube Test Gauge MO 250

Bayonet ring case, coated, class 0.15 or 0.25

ARMANO

T02-000-002

## Application

Testing of pressure gauges; measurement of pressures with higher accuracy, e.g. in laboratories.

Pressure ranges from 0 – 2.5 MPa for gaseous media

Pressure ranges from 0 – 4 MPa for liquid media

## Standard Versions

### Pressure Limitations

At steady load: full scale value

At dynamic load: 0.9 x full scale value

### Temperature Resistance

Ambient temperature: –25 / +60 °C (–13 / +140 °F)

Medium temperature: max. +60 °C (+140 °F)

### Temperature Caused Error

Application at reference temperature 20 ±2 °C (68 ±3.6 °F) according to MI2102-90

The additional error per 10 K deviation from the reference temperature +20 °C (+68 °F) is not more than 0.4 % of the measuring span

### Accuracy

Class 0.15 or 0.25

(indication accuracy ±0.15 % or ±0.25 % of full scale value)

Accuracy according to MI 2102-90 (Russian standard)<sup>1)</sup>

### Case

Stainless steel 304 (1.4301), with bayonet ring coated black

### Degree of Protection (DIN EN 60 529/IEC 529)

IP54

### Nominal Case Size

250 mm (10")

### Wetted Parts

Connection: brass

Bourdon tube: CuBe

### Case Configuration

Connection: screwed

Position of the

connection: bottom connection

### Pressure Ranges (DIN EN 837-1)

0 – 0.1 MPa to 0 – 60 MPa

–0.1 / 0 MPa

### Process Connection

M20x1.5, optional G ½ B

### Window

Instrument glass with adjusting bore (closed with plug)

### Movement

Brass/German silver with eccentric adjustment through the dial

### Dial

Aluminum white, scale black

Stylised scale, 400 marks on 315°

### Pointer

Anti-parallax pointer, aluminum black



## Ordering Information

Please specify in your order:

**Basic model** MO 250  
**Accuracy** 0.15 % or 0.25 %  
**Pressure range** e.g. 0 – 1 MPa  
**Process connection** M20x1.5

**Example:** MO 250, 0.15 %, 0 – 1 MPa, M20x1.5

<sup>1)</sup> For these instruments, a test report has to be issued by a testing laboratory (e.g. Rostest in Moscow), which shows the relation pressure – mark.

Example: 0.5 MPa ^ 200.1 marks

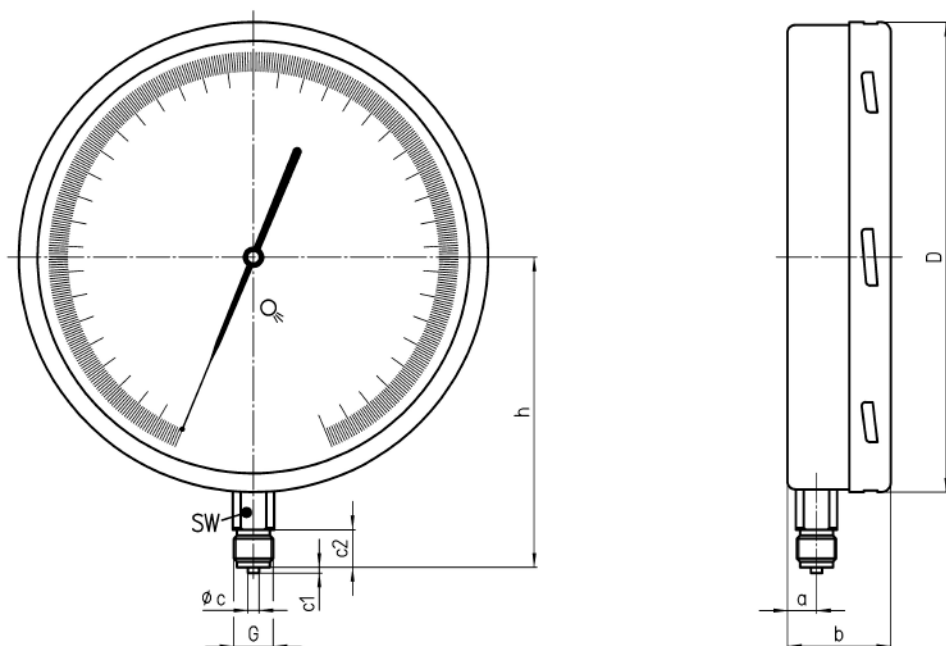
Instruments with protocol available via our subsidiary company MANOTHERM Pribor in Moscow

# Bourdon Tube Test Gauge MO 250

Bayonet ring case, coated, class 0.15 or 0.25

## Case Configuration, Bottom Connection

standard version



### Dimensional Data (mm/inch) and Weight (kg/lb)

NCS	D	a	b	c	c1	c2	G	h	SW	approx. weight
250	251	15.5	55	6	3	20	M20x1.5	165	22	2.1
9.84	9.88	0.61	2.17	0.24	0.12	0.79	G 1/2 B	6.5	0.87	4.63