

# Bourdon Tube Test Gauge MO 160

Bayonet ring case, coated, class 0.4

ARMANO

T02-000-001

## Application

Testing of pressure gauges; measurement of pressures with higher accuracy, e.g. in laboratories.

Pressure ranges from 0 – 2.5 MPa for gaseous media

Pressure ranges from 0 – 4 MPa for liquid media

## Standard Versions

### Pressure Limitations

At steady load: full scale value

At dynamic load: 0.9 x full scale value

### Temperature Resistance

Ambient temperature: –25 / +60 °C (–13 / +140 °F)

Medium temperature: max. +60 °C (+140 °F)

### Temperature Caused Error

The additional error per 10 K deviation from the reference temperature +20 °C (+68 °F) is not more than 0.4 % of the measuring span

### Accuracy

Class 0.4 (indication accuracy  $\pm 0.4$  % of full scale value)

### Case

Stainless steel 304 (1.4301), with bayonet ring coated black

### Degree of Protection (DIN EN 60 529/IEC 529)

IP54

### Nominal Case Size

160 mm (6")

### Wetted Parts

Connection: brass

Bourdon tube: c-form

$\leq 4$  MPa bronze

6 MPa CuBe

helical form

$\geq 10$  MPa stainless steel 316Ti (1.4571)

60 MPa NiFe alloy

### Case Configuration

Connection: screwed

Position of the

connection: bottom connection

### Pressure Ranges (DIN EN 837-1)

0 – 0.1 MPa to 0 – 60 MPa

–0.1 / 0 MPa

### Process Connection

M20x1.5, optional G  $\frac{1}{2}$  B

### Window

Instrument glass with adjusting bore (closed with plug)

### Movement

Brass/German silver with eccentric adjustment through the dial

### Dial

Aluminum white, scale black

### Pointer

Anti-parallax pointer, aluminum black



## Ordering Information

Please specify in your order:

<b>Basic model</b>	MO 160
<b>Accuracy</b>	0.4 %
<b>Pressure range</b>	e.g. 0 – 1 MPa
<b>Process connection</b>	M20x1.5

**Example:** MO 160, 0.4 %, 0 – 1 MPa, M20x1.5

[www.armano-messtechnik.com](http://www.armano-messtechnik.com)

ARMANO Messtechnik GmbH

Location Beierfeld • Am Gewerbepark 9 • 08344 Grünhain-Beierfeld

Tel.: +49 3774 58 – 0 • Fax: +49 3774 58 – 545 • mail@armano-beierfeld.com

Location Wesel • Manometerstraße 5 • 46487 Wesel-Ginderich

Tel.: +49 2803 9130 – 0 • Fax: +49 2803 1035 • mail@armano-wesel.com

10/2021

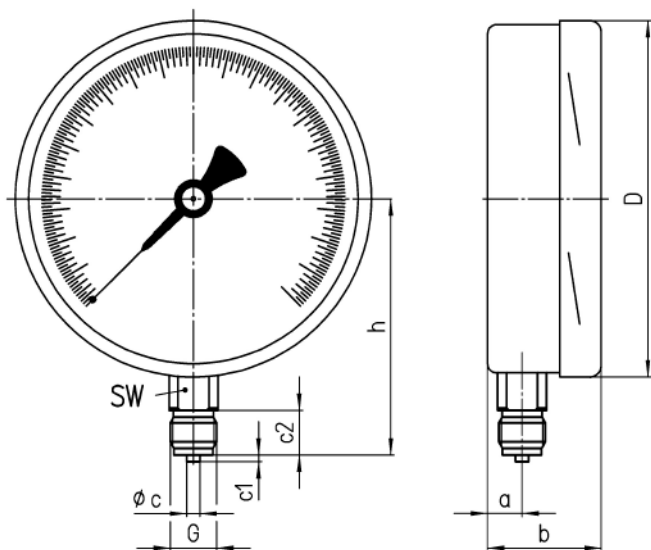
PW/SWü

# Bourdon Tube Test Gauge MO 160

Bayonet ring case, coated, class 0.4

## Case Configuration, Bottom Connection

standard version



## Dimensional Data (mm/inch) and Weight (kg/lb)

NCS	D	a	b	c	c1	c2	G	h	SW	approx. weight
160	161	15.5	51	6	3	20	M20x1.5	115	22	1.1
6"	6.34	0.61	2.01	0.24	0.12	0.79	G ½ B	4.53	0.87	2.43