

Bayonet ring case stainless steel

Standard Versions

This data sheet contains detailed information on our standard versions and available options. In overview 8000 you will find additional information on selection, metrological features, permissible ambient and storage temperatures as well as error limits, etc. Information on the metrologically optimal design of thermometers can be found in our technical information sheet T08-000-031.

Measuring Unit

With nitrogen filling
(inert gas, physiological harmless)

Accuracy (DIN EN 13 190)

Class 1

Case

With bayonet ring, stainless steel 304 (1.4301)

Degree of Protection (DIN EN 60 529/IEC 529)

IP65

Nominal Case Sizes

100, 160 mm (4, 6")

Case Configuration

Connection temperature sensor (stem): rigid mount
Stem position: rear ambient temperature stem
Mounting device: back flange for surface mounting with distance bolts to the case, see page 2

Temperature Ranges

-40 / +40 °C (-40 / +104 °F)

-40 / +60 °C (-40 / +140 °F)

-30 / +50 °C (-22 / +122 °F)

-20 / +60 °C (-4 / +140 °F)

Window

Instrument glass

Movement

Stainless steel

Dial

Aluminum white, scale black

Pointer

Aluminum black

Indication Adjustment (±6 %)

Externally via screw



Options

- Red mark on the dial
- Plastic clip (red or green external at the bayonet ring)
- Stationary red pointer on the dial, adjustable after removing the ring
- Case polished
- Bayonet ring polished
- Instrument tag:
 - stainless steel plate 12 x 55 mm (0.47 x 2.17") with wire mounting
 - sticker on case coverage

Further Options

- GOST version for Russia and Kazakhstan

Special Versions Upon Request

- Other temperature ranges and/or special scales, e.g. dual scale °C/°F, coloured fields or ranges, dial inscriptions
- Case parts stainless steel 316L (1.4404)

Accessories

Electronic: limit switch contact assemblies,
see model overview 9.1000

Ordering Information

Please specify in your order:

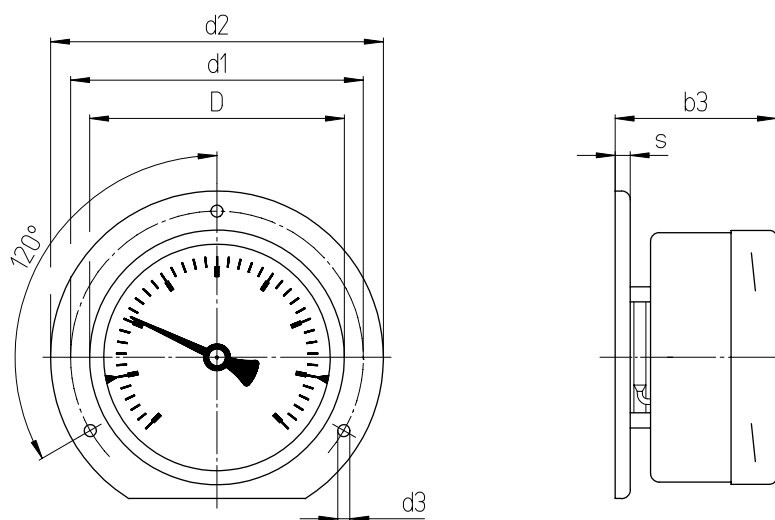
Model TRCh
Nominal case size 100, 160 mm
Temperature range e.g. -30 / +50 °C
Options e.g. case polished

Example: TRCh 100, -30 / +50 °C,
case polished

Stem Position, Dimensional Data and Weights

Stem Position Rear Ambient Temperature Sensor

without additional code letter



Dimensional Data (mm/inch) and Weights (kg/lb)

NCS	b3	D	d1	d2	d3	s	approx. weight TRCh
100	64	101	116	132	4.8	6	0.52
4"	2.52	3.98	4.57	5.2	0.19	0.24	1.14
160	63.5	161	163	196	5.8	6	0.88
6"	2.5	6.34	6.42	7.72	0.23	0.24	1.94