

Diaphragm Pressure Gauge

With vertical diaphragm,
bezel ring black

PsP 60

Information on advantages, application fields, temperature resistance, metrological features and pressure ranges of all available diaphragm pressure gauges with vertical diaphragm can be found in our model overview 4000.

Application

Among others, diaphragm pressure gauges with vertical diaphragm model PsP 60 have been developed especially for the application in chlorine metering systems. They are also suitable for viscous media.

Standard Versions

Accuracy (DIN EN 837-3)

Class 1.6

Class 2.5 for version with protection foil

Case

Bezel ring black, fibre-glass reinforced polyamide 6B, optionally front flange (Fr) single piece grey cast iron, black enamelled, screwed to the vertical mounted lower flange of the diaphragm

Degree of Protection (DIN EN 60 529/IEC 529)

IP43

Nominal Case Size

60 mm (2.36")

Wetted Parts

Ordering code	Connection	Lower flange of the diaphragm	Diaphragm	O-ring sealing
- 1	brass or galvanised steel or nickelplated steel	galvanised steel or nickelplated steel	steel enamelled or CuBe, for -1 / 0 to 0 - 1 bar Duratherm ^{®1)} or Inconel	NBR
- 2	steel black enamelled, wetted parts bright	steel black enamelled, wetted parts bright	steel enamelled or CuBe, for -1 / 0 to 0 - 1 bar Duratherm ^{®1)} or Inconel fine silver foil	Viton [®] (FPM)

Case Configuration

Connection: screwed

Position of the connection:

- bottom connection
- centre back connection (rm)

Mounting device:

- without
- for centre back connection:
 - front flange for panel mounting (rmFr)

Pressure Ranges (DIN EN 837-3)

0 - 0.6 bar to 0 - 40 bar

also corresponding vacuum and compound ranges, see table on the back of the page; restrictions apply to the various materials of the wetted parts

Process Connection

G 1/4 B bottom connection with orifice Ø 5 mm (0.2"), or centre back connection

Window

Instrument glass



Movement

Brass/German silver

Dial

Aluminum white, scale black

Pointer

Aluminum black

Temperature Resistance

Storage temperature: -40 °C to +70 °C (-40 °F to +158 °F)

Ambient temperature: -20 °C to +60 °C (-4 °F to +140 °F)

Medium temperature: max. +60 °C (+140 °F)

Reference Temperature

+20 °C (+68 °F)

Special Versions and Options

- Wetted parts with ordering code - 3 upon request: lower flange of the diaphragm with connection stainless steel 316L (1.4404), diaphragm steel with protection foil stainless steel 316L (1.4404), pressure ranges $\geq 0 / 1.6 \text{ bar}^2$
- Process connection 1/4" NPT, others upon request
- Restrictor screw in the inlet port brass or stainless steel upon request
- Window acrylic glass
- Special scales, e.g. with other measuring units, dual scales
- 3-times overrange protected, max. 50 bar
- Diaphragm with protection foil PTFE, stainless steel 316L (1.4404), fine silver (unless standard, cf. on the left)
- Splash-proof version (sealed front and back side)
- Other than vertical installation
- Nominal case size 80 (3") upon request

Ordering Information

Please specify in your order:

Basic model	PsP 60
Wetted parts	- 1, - 2
Case configuration	bottom connection, rm or rmFr
Pressure range	according to DIN EN 837-3 e.g. 0 - 6 bar
Process connection	G 1/4 B
Specifics	see above

Example: PsP 60 - 1, rmFr, 6 bar, G 1/4 B
PsP 60 - 2, -1 / 0 bar, 1/4" NPT (for Cl₂)

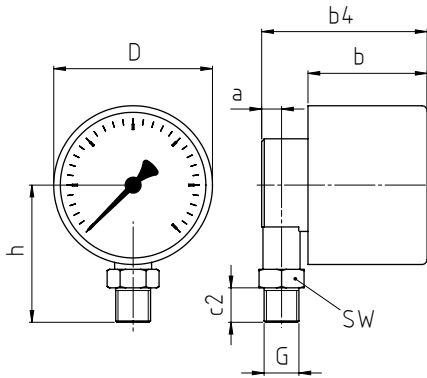
¹⁾ NiCrCo-alloy

²⁾ 0.6 bar and 1 bar made of Duratherm[®] (NiCrCo-alloy)

Case Configurations, Code Letters, Dimensional Data and Weight

Bottom Connection

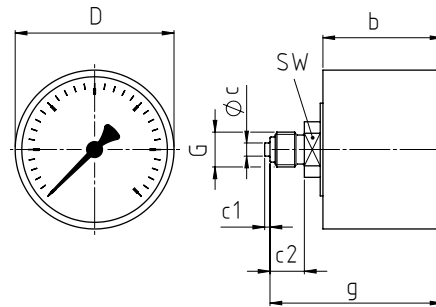
(no additional code letters)



Centre Back Connection

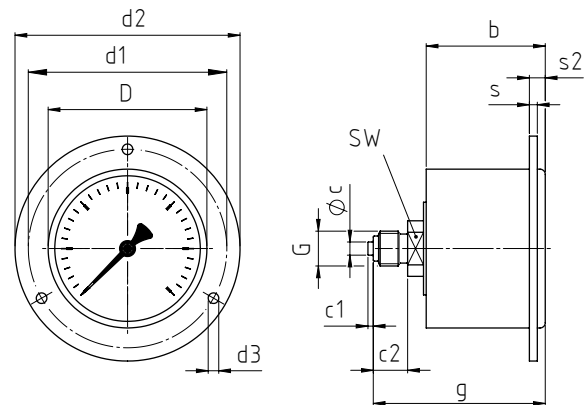
without mounting device

code letters: **rm**



front flange for panel mounting

code letters: **rmFr**



Dimensional Data (mm/inch) and Weight (kg/lb)

NCS	a	b	b4	c	c1	c2	D	d1 ¹⁾	d2 ¹⁾	d3	d4	g ²⁾	G	h ^{±1)}	s	s2	SW	(approx.) weight ³⁾
60	7	41	59	5	2	13	60	75	85	4.2	64	62	G 1/4 B	52	3	6	17	0.3
2.36	0.28	1.61	2.32	0.2	0.08	0.51	2.36	2.95	3.35	0.17	2.52	2.44	1/4" BSP	2.05	0.12	0.24	0.67	0.66

Pressure Ranges/Scale Division

Pressure ranges in bar according to DIN EN 837-3	Smallest subdivision of the scale (bar)
Vacuum	-1200 / 0 mbar
	50 mbar
	-0.6 / 0 ⁴⁾
	0.02
	-1 / 0
	0.02
Compound range	-1 / +0.6
	0.05
	-1 / +1.5
	0.1
	-1 / +3
	0.2
	-1 / +5
	0.2
	-1 / +9
	0.2
	-1 / +15
	0.5
	-1 / +24
	1.0

Pressure ranges in bar according to DIN EN 837-3	Smallest subdivision of the scale (bar)
Pressure	0 - 0.6 ⁴⁾
	0.02
	0 - 1.0
	0.02
	0 - 1.6
	0.05
	0 - 2.5
	0.1
	0 - 4
	0.2
	0 - 6
	0.2
	0 - 10
	0.2
	0 - 16
	0.5
	0 - 25
	1
	0 - 40
	2

¹⁾ also available with d1 = 70 (2.76"), d2 = 77 (3.03") upon request

²⁾ for version - 1 only valid for G 1/4 B; for other threads (1/4" NPT, M12x1.5) dimension g + approx. 10 mm (0.39")

³⁾ information for version without mounting device

⁴⁾ Not for version with protection foil!