

Bourdon Tube Pressure Gauge

Steel case, with snap-in window

RE

100 – 1

Application

Bourdon tube pressure gauge models RE are suitable for the measurement of positive and negative overpressure of liquid or gaseous media that do not corrode brass/copper alloys.

Standard Versions

Information on general and metrological features (e.g. load limits/temperature resistance) and standard pressure ranges/scale divisions can be found in model overview 1000.

Accuracy (DIN EN 837-1)

Class 1.6

Class 2.5 for pressure range 0 – 0.6 bar and 0 – 600 bar

Case

Sheet steel black

Nominal Case Size

100 mm (4")

Wetted Parts

Connection:	brass
Bourdon tube:	bronze
	≤40 bar c-form, soft-soldered
	≥60 bar helical form silver brazed

Case Configuration

Connection: screwed

Position of the connection: bottom connection

Pressure Ranges (DIN EN 837-1)

0 – 0.6 bar to 0 – 600 bar

also vacuum and compound measuring ranges

Process Connection

G ½B (½" BSP)

Window

Polycarbonate, snap-in

Movement

Brass/German silver

Dial

Aluminum white, scale black

Pointer

Aluminum black

Stationary red pointer on the dial,
adjustable after removing the window



Ordering Information

See page 3

Special Versions and Further Options

Other process connections upon request

Accessories

See catalogue heading 11

www.armano-messtechnik.com

ARMANO

ARMANO Messtechnik GmbH

Location Beierfeld
Am Gewerbepark 9 • 08344 Grünhain-Beierfeld
Tel.: +49 3774 58 – 0 • Fax: +49 3774 58 – 545
mail@armano-beierfeld.com

Location Wesel
Manometerstraße 5 • 46487 Wesel-Ginderich
Tel.: +49 2803 9130 – 0 • Fax: +49 2803 1035
mail@armano-wesel.com

1120

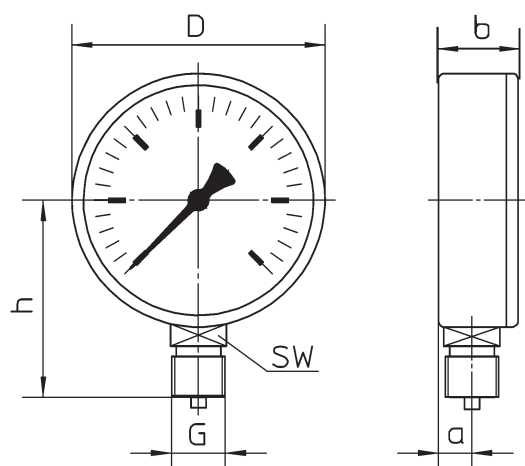
09/19

Case Configurations, Code Letters, Dimensional Data and Weight

Bottom Connection

without mounting device

(without code letters)



Dimensional Data (mm/inch) and Weight (kg/lb)

NCS	a	b	D	G	h	SW	approx. weight
100	11	31	99	G ½ B	78	22	0.37
4"	0.43	1.22	3.9	½" BSP	3.07	0.87	0.82

